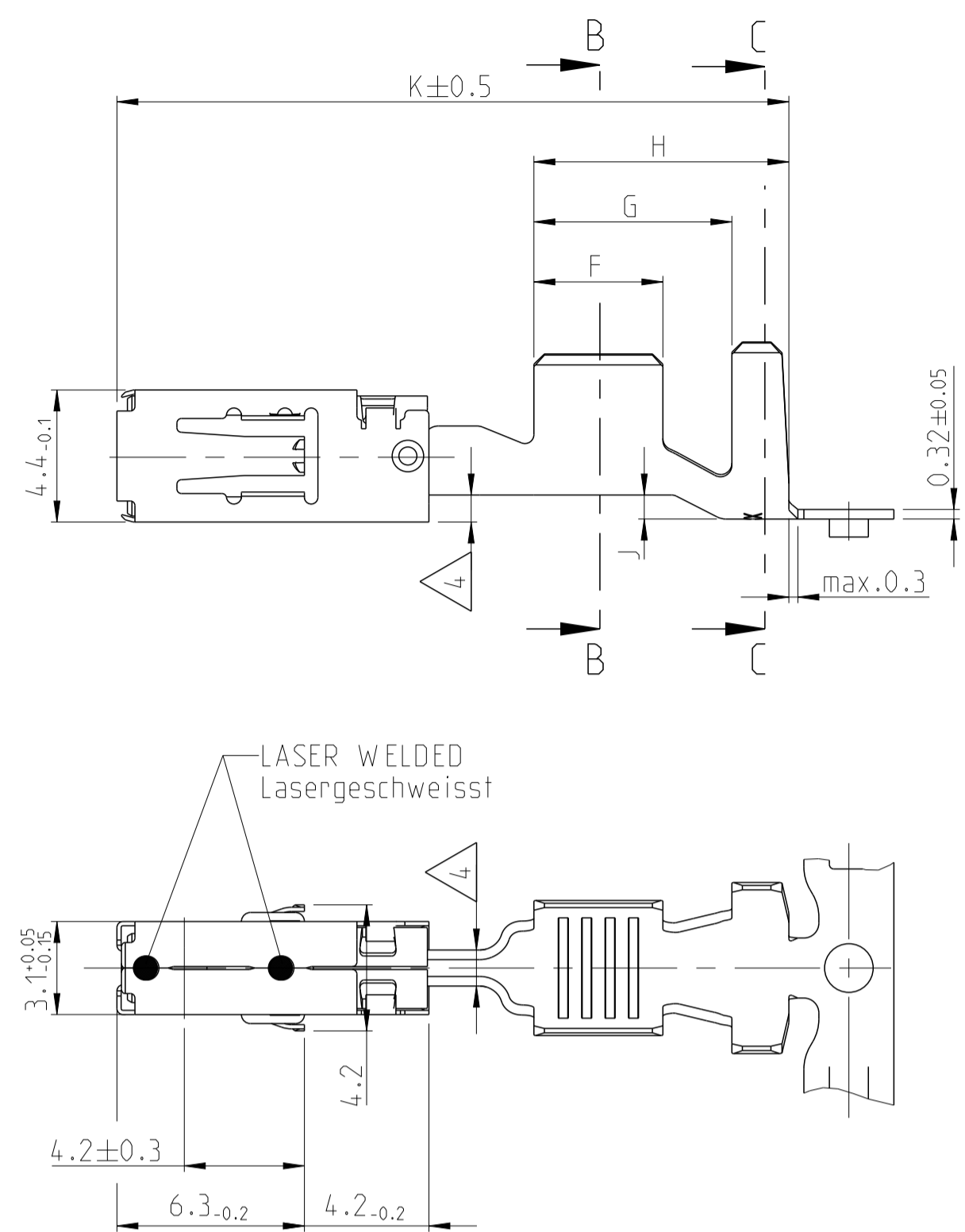
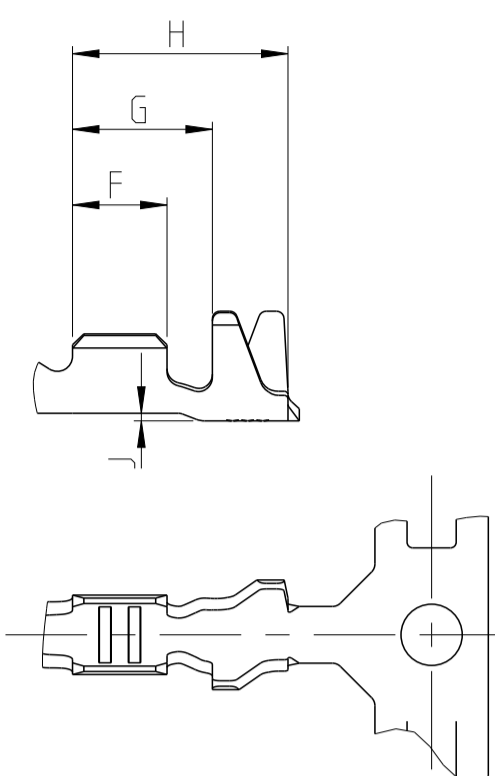


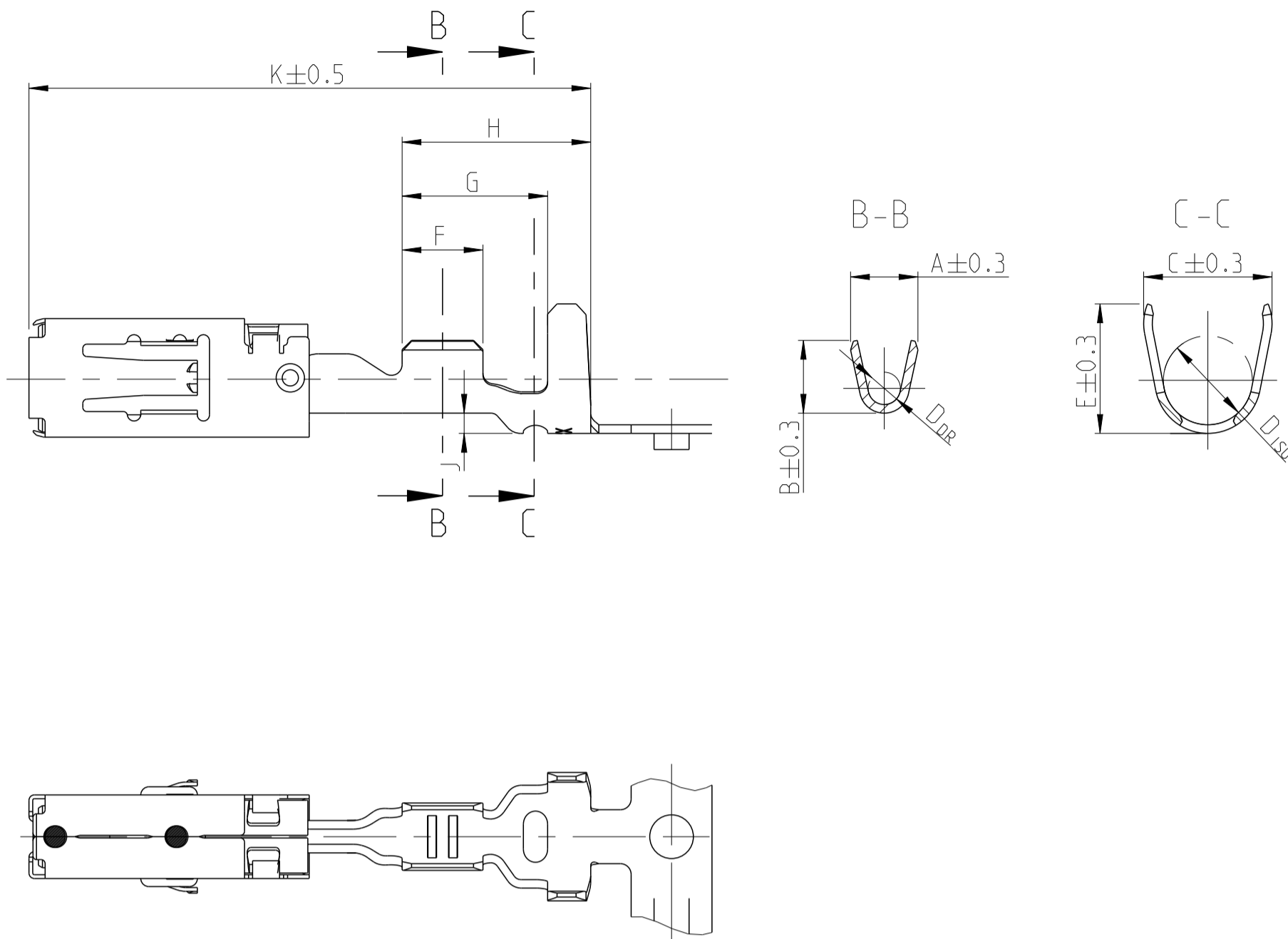
### STANDARD CRIMP



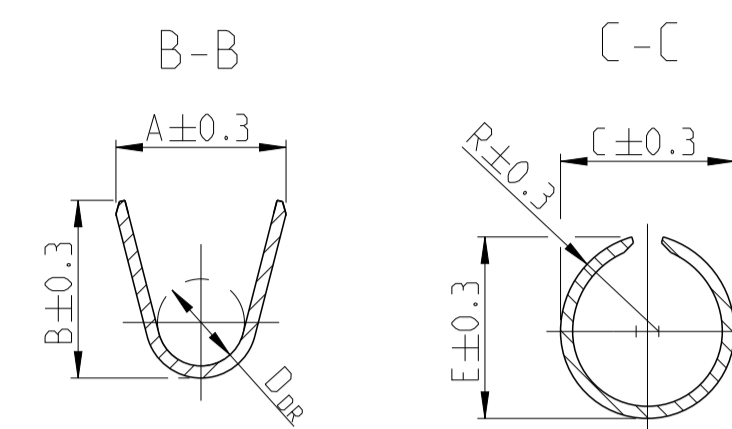
ONLY FOR WIRE SIZE RANGE  
 Nur fuer DGB  
 0.2 ... 0.5 mm<sup>2</sup>



### SINGLE WIRE SEAL Einzeldichtungssystem



### LOOSE PIECE Einzelausfuehrung



REVISIONS				
P	LTN	DESCRIPTION	DATE	APVD
J6		CRIMP HEIGHTS IN TABLE FROM 2.27 TO 2.25 CHANGED	22MAY2012	Kirs Mair
J7		1-968855-4, 1-968857-4, 1-968859-4 REMOVED ECR-13-010695	20AUG2013	Leim Leim
J8		DRAWING MISTAKE CORRECTED ECR-14-001420	30JAN2014	Abt Leim
J9		DRAWING MISTAKE CORRECTED ECR-14-003309	05MAR2014	Bren Leim

VERSION	Ausfuehrung	ORDER-NO. STRIP-FORM	REV	ORDER-NO. LOOSE PIECE	BODY Werkstoff	SURFACE Oberflaeche	WIRE SIZE RANGE	INSULATION DIAMETER	CRIMP DIMENSIONS / Crimpabmessungen mm												WEIGHT Gewicht	SINGLE WIRE SEAL Einzeldichtung	TE CONNECTIVITY NO.	DEAD END PLUG	Blindstopfen	TE CONNECTIVITY NO.	APPLICATION TOOLS Verarbeitungswerkzeuge		
									A	B	D <sub>DR</sub>	C	E	D <sub>ISO</sub>	A	B	D <sub>DR</sub>	C	E	R									
SINGLE WIRE SEAL / Einzeldichtung	1-1719506-3	A	-	-	X10C N118-8	SILVER PLATED versilbert	12 AWG	3.0	4.0	4.2	2.0	5.0	5.0	3.5	-	-	-	-	-	3.5	5.9	7.5	0.8	21.0	0.59	828905-1	828922-1	SEE APPLICATION SPECIFICATION 114-18148 siehe Verarbeitungsspezifikation 114-18148	
	1-1719506-1	A	-	-		PRE TIN PLATED verzinkt	4	3.4	4.5	4.7	2.3	6.0	6.0	4.3	3.4	4.8	2.3	5.5	5.4	3.3	4.3	6.9	8.5	1.25	22.6	0.65	828985-1		828986-1
	1-968859-3	E	1-968877-3	-		SILVER PLATED versilbert	1.5	2.2	3.6	3.8	1.7	5.0	5.0	3.5	2.8	3.9	1.7	4.8	4.4	2.8	3.5	5.9	7.5	0.8	21.0	0.58	828905-1		828922-1
	1-968859-2	-	1-968877-2	-		GOLD PLATED vergoldet	2.5	3.0	3.6	3.8	1.7	5.0	5.0	3.5	2.8	3.9	1.7	4.8	4.4	2.8	3.5	5.9	7.5	0.8	21.0	0.58	828905-1		828922-1
	1-968859-1	E	1-968877-1	-		PRE TIN PLATED verzinkt	0.5	1.4	2.5	2.7	1.2	4.8	4.8	3.3	2.2	2.8	1.2	4.4	4.2	2.6	3.0	5.4	7.0	0.75	21.0	0.54	828904-1		828922-1
	1-968857-3	E	1-968876-3	-		SILVER PLATED versilbert	1.0	2.1	3.6	3.8	1.7	5.0	5.0	3.5	2.8	3.9	1.7	4.8	4.4	2.8	3.5	5.9	7.5	0.8	21.0	0.58	828905-1		828922-1
	1-968857-2	-	1-968876-2	-		GOLD PLATED vergoldet	0.2	1.2	2.1	2.1	0.8	4.5	4.5	3.2	1.7	2.15	0.8	4.2	4.15	2.4	2.5	4.9	6.5	0.75	21.0	0.52	828904-1		828922-1
	1-968857-1	E	1-968876-1	-		PRE TIN PLATED verzinkt	0.5	1.4	2.1	2.1	0.8	4.5	4.5	3.2	1.7	2.15	0.8	4.2	4.15	2.4	2.5	4.9	6.5	0.75	21.0	0.52	828904-1		828922-1
	1-968855-3	E	1-968875-3	-		SILVER PLATED versilbert	4	2.7	4.5	4.7	2.3	5.7	5.9	3.3	3.4	4.8	2.3	4.4	5.2	2.6	4.3	6.6	8.5	0.8	22.6	0.65	-		-
	1-968855-2	E	1-968875-2	-		GOLD PLATED vergoldet	1.5	2.2	3.6	3.8	1.7	4.6	4.8	2.6	2.8	3.9	1.7	3.8	4.4	2.3	3.5	5.1	6.7	0.3	20.2	0.56	-		-
	1-968855-1	E	1-968875-1	-		PRE TIN PLATED verzinkt	0.5	1.4	2.5	2.7	1.2	4.8	4.8	3.3	2.2	2.8	1.2	4.4	4.2	2.6	3.0	5.4	7.0	0.75	21.0	0.54	828904-1		828922-1
	1-968882-3	E	1-968896-3	-		SILVER PLATED versilbert	1.0	2.1	3.6	3.8	1.7	4.6	4.8	2.6	2.8	3.9	1.7	3.8	4.4	2.3	3.5	5.1	6.7	0.3	20.2	0.56	-		-
	1-968882-2	E	1-968896-2	-		GOLD PLATED vergoldet	0.2	1.2	2.1	2.1	0.8	4.5	4.5	3.2	1.7	2.15	0.8	4.2	4.15	2.4	2.5	4.9	6.5	0.75	21.0	0.52	828904-1		828922-1
	1-968882-1	E	1-968896-1	-		PRE TIN PLATED verzinkt	0.5	1.4	2.1	2.1	0.8	4.5	4.5	3.2	1.7	2.15	0.8	4.2	4.15	2.4	2.5	4.9	6.5	0.75	21.0	0.52	828904-1		828922-1
	1-968853-3	E	1-968874-3	-		SILVER PLATED versilbert	1.5	2.2	3.6	3.8	1.7	4.6	4.8	2.6	2.8	3.9	1.7	3.8	4.4	2.3	3.5	5.1	6.7	0.3	20.2	0.56	-		-
	1-968853-2	-	1-968874-2	-		GOLD PLATED vergoldet	0.5	1.4	2.5	2.7	1.2	4.8	4.8	3.3	2.2	2.8	1.2	4.4	4.2	2.6	3.0	5.4	7.0	0.75	21.0	0.54	828904-1		828922-1
	1-968853-1	E	1-968874-1	-		PRE TIN PLATED verzinkt	1.0	2.1	3.6	3.8	1.7	4.6	4.8	2.6	2.8	3.9	1.7	3.8	4.4	2.3	3.5	5.1	6.7	0.3	20.2	0.56	-		-
	1-968851-3	E	1-968873-3	-		SILVER PLATED versilbert	0.5	1.4	2.5	2.7	1.2	4.8	4.8	3.3	2.2	2.8	1.2	4.4	4.2	2.6	3.0	5.4	7.0	0.75	21.0	0.54	828904-1		828922-1
1-968851-2	E	1-968873-2	-	GOLD PLATED vergoldet	1.0	2.1	3.6	3.8	1.7	4.6	4.8	2.6	2.8	3.9	1.7	3.8	4.4	2.3	3.5	5.1	6.7	0.3	20.2	0.56	-	-			
1-968851-1	E	1-968873-1	-	PRE TIN PLATED verzinkt	0.5	1.4	2.5	2.7	1.2	4.8	4.8	3.3	2.2	2.8	1.2	4.4	4.2	2.6	3.0	5.4	7.0	0.75	21.0	0.54	828904-1	828922-1			
1-968849-3	E	1-968872-3	-	SILVER PLATED versilbert	1.0	2.1	3.6	3.8	1.7	4.6	4.8	2.6	2.8	3.9	1.7	3.8	4.4	2.3	3.5	5.1	6.7	0.3	20.2	0.56	-	-			
1-968849-2	E	1-968872-2	-	GOLD PLATED vergoldet	0.2	1.2	2.1	2.1	0.8	4.5	4.5	3.2	1.7	2.15	0.8	4.2	4.15	2.4	2.5	4.9	6.5	0.75	21.0	0.52	828904-1	828922-1			
1-968849-1	E	1-968872-1	-	PRE TIN PLATED verzinkt	0.5	1.4	2.1	2.1	0.8	4.5	4.5	3.2	1.7	2.15	0.8	4.2	4.15	2.4	2.5	4.9	6.5	0.75	21.0	0.52	828904-1	828922-1			
1-968880-3	E	1-968895-3	-	SILVER PLATED versilbert	0.2	1.2	2.1	2.1	0.8	4.5	4.5	3.2	1.7	2.15	0.8	4.2	4.15	2.4	2.5	4.9	6.5	0.75	21.0	0.52	828904-1	828922-1			
1-968880-2	-	1-968895-2	-	GOLD PLATED vergoldet	0.5	1.4	2.1	2.1	0.8	4.5	4.5	3.2	1.7	2.15	0.8	4.2	4.15	2.4	2.5	4.9	6.5	0.75	21.0	0.52	828904-1	828922-1			
1-968880-1	E	1-968895-1	-	PRE TIN PLATED verzinkt	0.5	1.4	2.1	2.1	0.8	4.5	4.5	3.2	1.7	2.15	0.8	4.2	4.15	2.4	2.5	4.9	6.5	0.75	21.0	0.52	828904-1	828922-1			

- NOTES:  
 Bemerkungen:
- MATING PART SEE INTERFACE DRAWING  
 TE-NO.: 114-18230-002  
 Gegenstecker nach Ausfuehrungsvorschrift  
 TE-Nr.: 114-18230-002
  - SURFACE:  
 - PRE TIN PLATED 1 TO 3 µm  
 - GOLD PLATED MIN. 2 µm (ONLY CONTACT AREA)  
 - SILVER PLATED 3 TO 5 µm (ONLY CONTACT AREA)  
 Oberflaeche:  
 - verzinkt 1 bis 3 µm  
 - vergoldet min. 2 µm (nur Kontaktzone)  
 - versilbert 3 bis 5 µm (nur Kontaktzone)
  - DOUBLE CRIMPS ARE ONLY POSSIBLE WITH  
 APPLICATORS AUTHORIZED BY TE (NO HAND TOOL)  
 SUITABLE TOOLS ON REQUEST  
 Doppelanschlage sind nur mit von TE zugelassenen  
 Anschlagwerkzeugen moeglich (keine Handzangen)  
 passende Werkzeuge auf Anfrage
  - GAUGE INSPECTION  
 Lehrnuepfung
  - DETAILS OF DESIGN ARE LEFT TO MANUFACTURER  
 Einzelheiten der Ausfuehrung bleiben dem Hersteller ueberlassen
  - ONLY GERMAN LANGUAGE VERSION SHALL BE BINDING  
 Massgebend ist der deutsche Text
  - PUNCHING OIL RAZIOL CLF 11 SG  
 Stanzoel:

THIS DRAWING IS A CONTROLLED DOCUMENT.		OWN S. Blidar	22SEP97	TE Connectivity PRODUCT GROUP DRAWING FOR Tabellenzeichnung fuer AMP MCP 2.8
DIMENSIONS: mm		CHK G. Hotea	22SEP97	
TOLERANCES UNLESS OTHERWISE SPECIFIED: ±0.2		APVD J. Woller	22SEP97	NAME
MATERIAL		APPLICATION SPEC		SIZE
FINISH		APPLICATION SPEC		CAGE CODE
WEIGHT		APPLICATION SPEC		DRAWING NO
Customer Drawing		APPLICATION SPEC		RESTRICTED TO
SCALE 5:1		SHEET 1 OF 1		REV J9